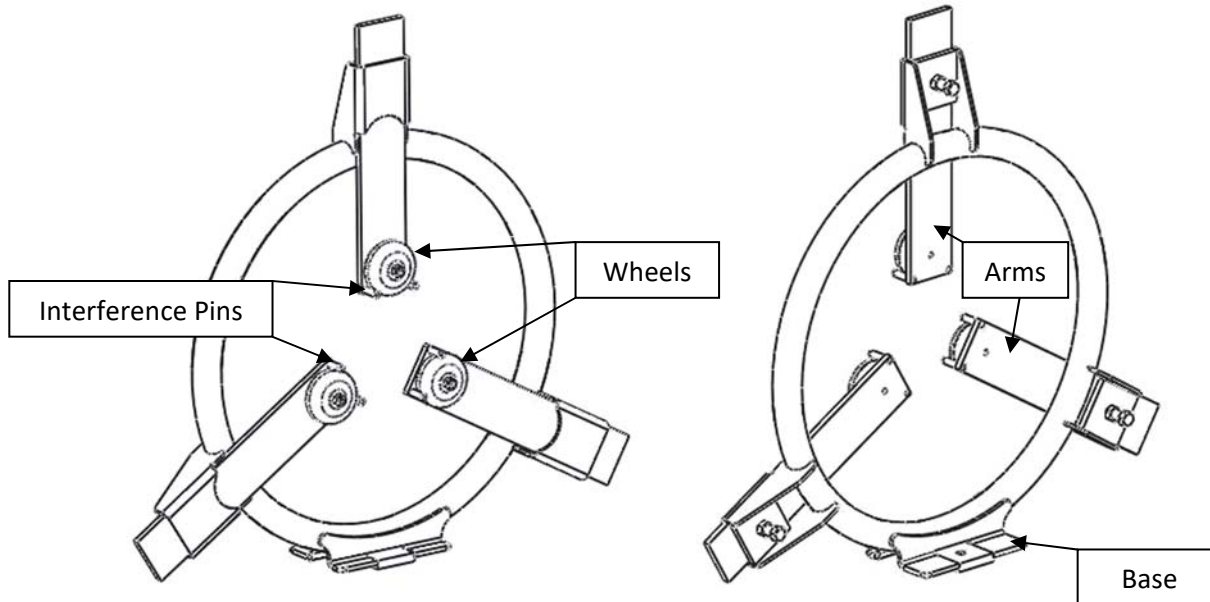


## Robust Steady Rest Tips

Congratulations on your new steady rest. It is designed for years of service.

For packaging convenience, your steady rest was shipped with its arms installed with the wheels turned opposite to what is shown in the pictures below. You can use the steady rest as is for small and medium diameter work. If you are approaching the steady rest's maximum capacity, remove the arms and turn them so that the wheels are positioned as in the pictures.



The steady rest wheels may need a slight truing cut the first time you use them. Adjust the arms so that the wheels are rubbing against the work and take a VERY LIGHT cut with a sharp scraper across the surface of the wheel. You can use the interference-pins as a tool rest.

As a rule, the steady rest wheels will always want to run uphill. Therefore, position the wheels at the largest diameter or "crown" of the work piece. If your work piece doesn't have a crown, you may want to leave a slight step or ring for the wheels to run on. The ring doesn't need to be very large, just enough for the wheels to make contact. It can be power sanded off later.

Don't force the wheels into the work. They should just make contact enough to spin and that's about it. Forcing the wheels into the work may damage it.

Never place anything in the pinch point between the wheels and the work as the work is turning. The interference pins serve as a reminder to keep objects and body parts out of this space.

The base is offset to allow you to get your banjo up close to the rest.